

Diamond X
EXCEPTIONAL MIRRORS. COLLECTION
FOR ELEGANT BATHROOMS.

From

www.illuminated-mirrors.uk.com

CE ROHS IP44



Infinity Mirrors

(Model Numbers: 100877K21 & K22)

Thank you for purchasing our illuminated mirror(s).

To avoid product damage, personal injuries, carefully read, understand, and follow all the Instructions in this installation guide before installing the product.

Save this manual for future reference.

CE ROHS IP44

WARNING!

To avoid the risk of electrocution, please turn off the electricity supply mains before commencing the installation.

CONTENT

I. STANDARDS

- a. Safety Instructions
- b. IP Rating
- c. Bathroom Zones

II. PARTS

III. STEP-by-STEP INSTALLATION

Step 1: *Route a 240v mains electric cable near where you would like to install the mirror.*

Step 2: *Pull the 240v electrical connection through the mirror back plate.*

Step 3: *Using a spirit level, make sure the back plate is level and in the correct position on the wall.*

Step 4: *Next using a drill and screw driver fix the back plate on to the wall, with the fittings supplied.*

Step 5: *Now the Back plate is fixed to the wall you can connect the lights, demister pad and shaver socket to the 240v electrical supply.*

Step 6: *Simply place the mirror over the back plate and using a screw driver tighten and fix it in place.*

IV. CARE AND CLEANING

V. FAQs

I. STANDARDS

a. Safety Instructions

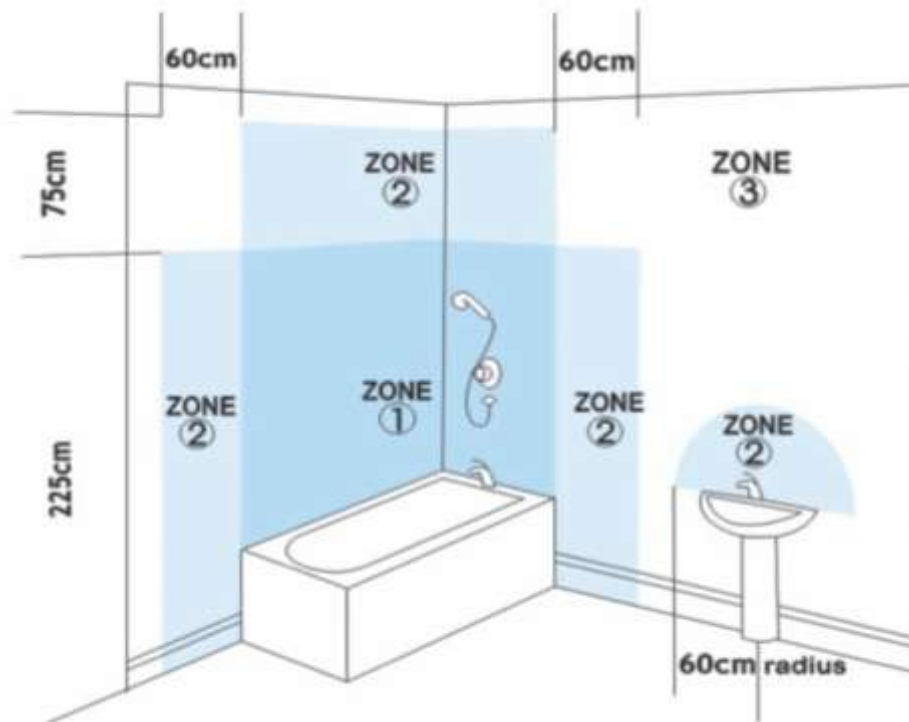
- Installation of this product can require a qualified electrician. If necessary, hire or consult a qualified electrician in accordance with the current IEE Wiring Regulations and UK Building Regulations for assistance before continuing.
- Please turn off the electricity supply mains before commencing the installation.
- This light fitting is a class I product and therefore must be earthed.
- Always use the correct type and wattage bulb; never exceed the stated/rated wattage as this could overheat the transformer.

b. IP rating

The **IP Code** (or **Ingress Protection Rating**, sometimes also interpreted as **International Protection Rating**) consists of the letters IP followed by two digits or one digit and one letter and an optional letter. These two digit numbers refer to the level of protection the product has and it is important that you choose fittings with correct ratings according to where they are installed within the bathroom.

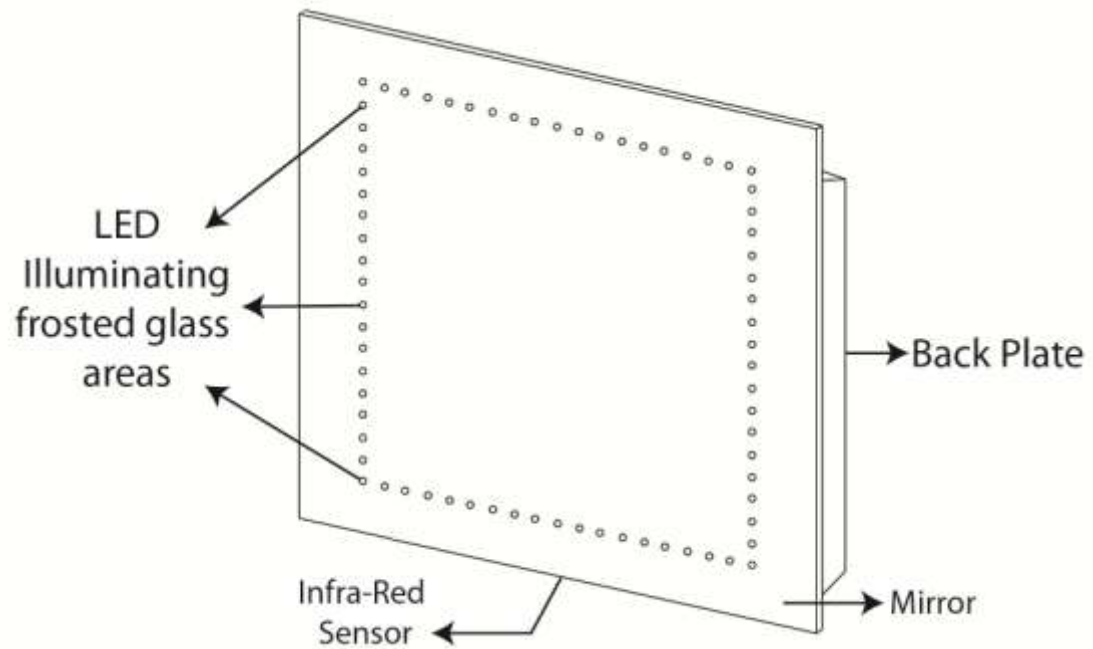
c. Bathroom Zones

Our illuminated mirror has special protection against the ingress of moisture and is manufactured to meet IP44 standard, thereby making it suitable for use in Zones 2 and 3 of a bathroom with reference to the below diagram.



II. PARTS

(Figure i) – Infinity Mirror and its parts.



III. INSTALLATION

- Please turn off the electricity supply mains before commencing the installation.

- **Wiring Colours:**

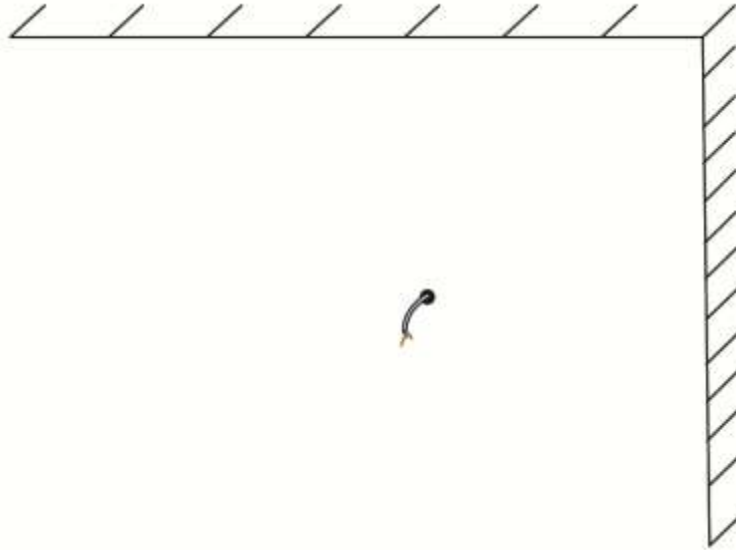
Earth (E) **GREEN**

Neutral (N) **BLUE**

Live (L) **BROWN**

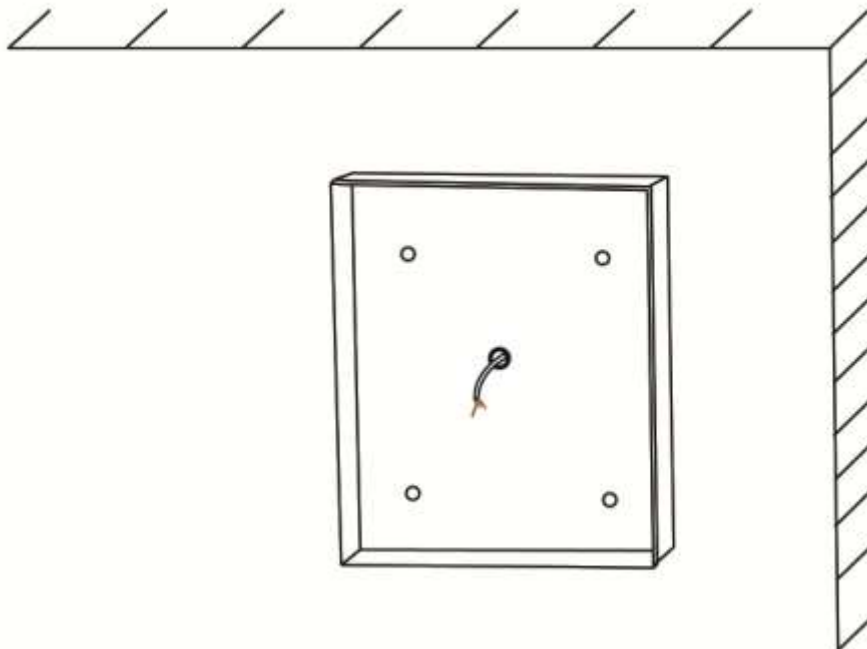
Step 1:

- Route a 240v mains electric cable near where you would like to install the mirror.



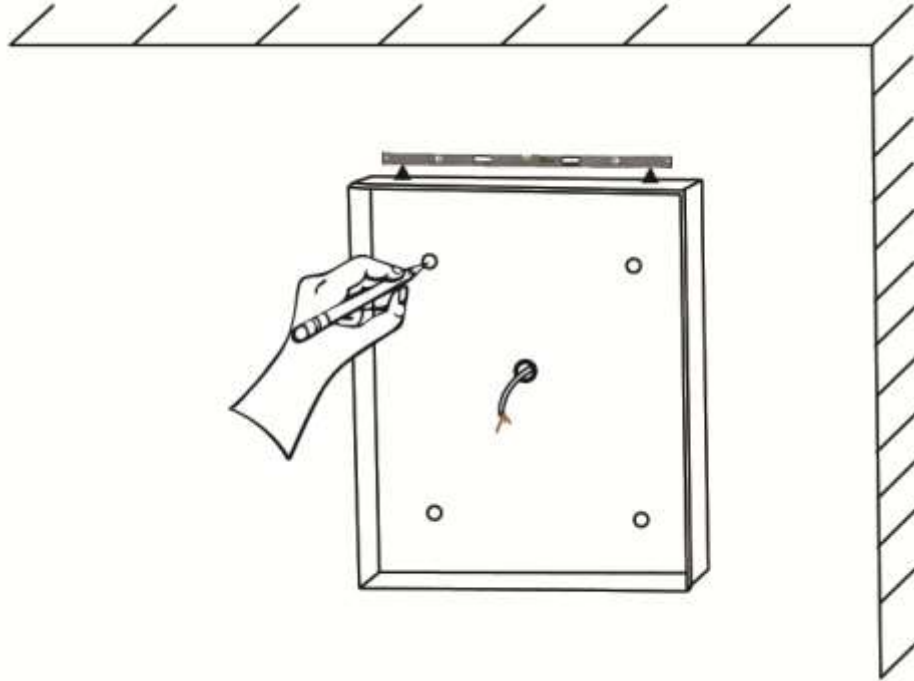
Step 2:

- Pull the 240v electrical connection through the mirror back plate.

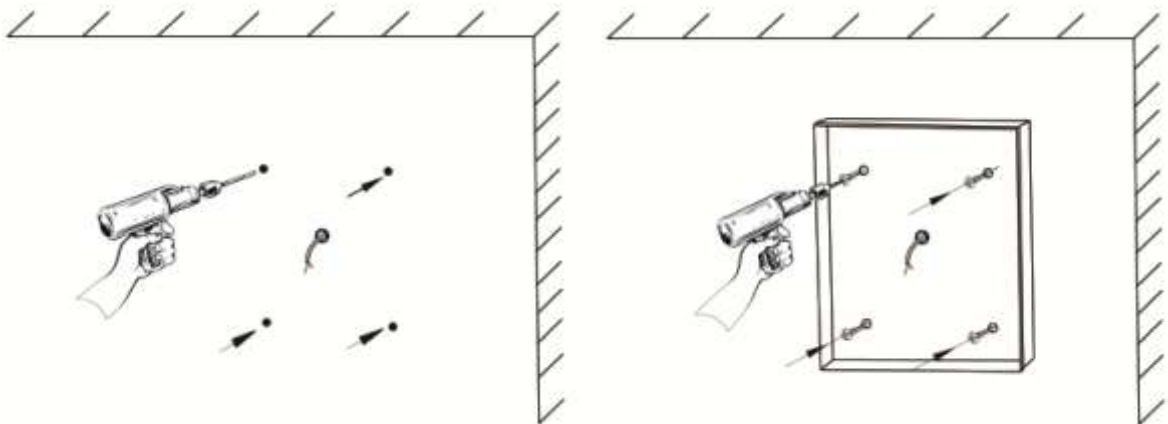


Step 3:

- Using a spirit level make sure the back plate is level and in the correct position on the wall.

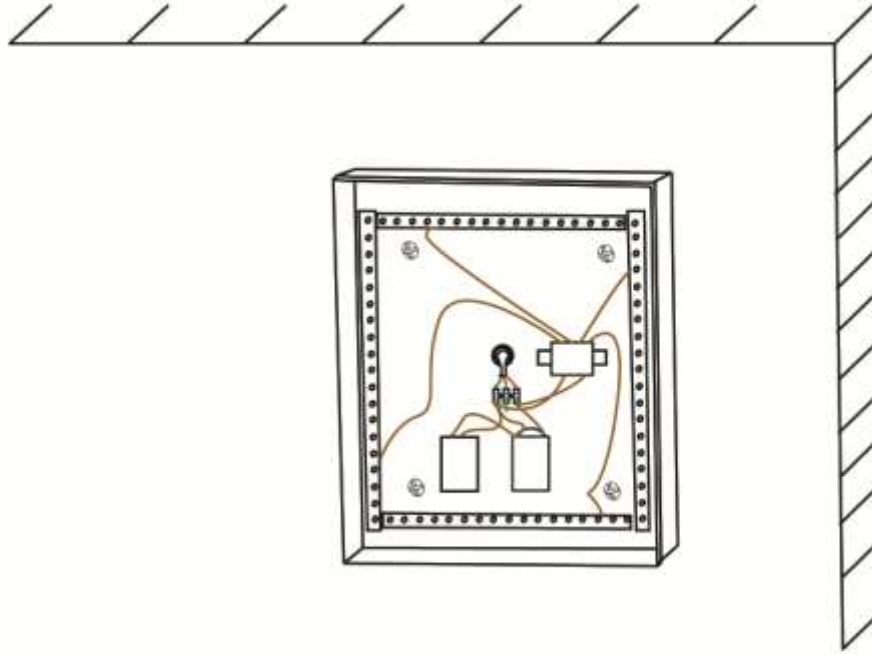
**Step 4:**

- Next using a drill and screw driver fix the back plate on to the wall, with the fittings supplied.

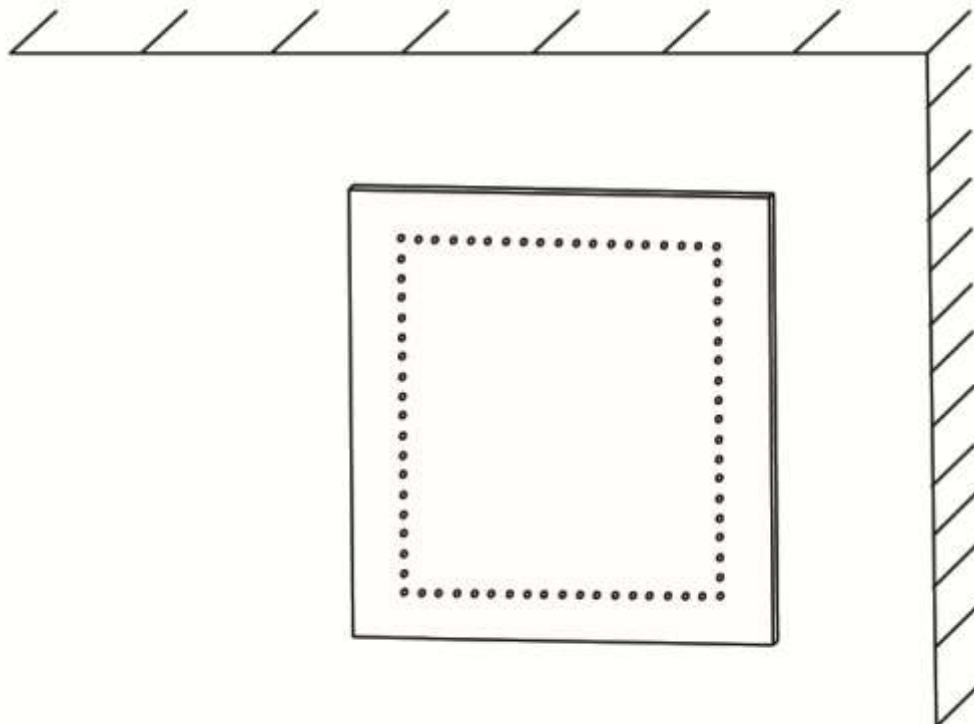


Step 5:

- Now the Back plate is fixed to the wall you can connect the lights, demister pad and shaver socket to the 240v electrical supply.

**Step 6:**

- Simply place the mirror over the back plate and using a screw driver tighten and fix it in place. And your mirror is ready to use!



IV. CARE AND CLEANING

- Please be aware when cleaning the mirror surface, do not to use abrasive materials as these will damage the overall finish.

V. FAQs

1. What is a LED Mirror?

A LED Mirror uses Energy Saving LED light bulbs. They are Waterproof Rated IP44 for use in bathrooms and include clever technology like, Infra-Red on/off sensors, Anti-Mist demister pads and a shaver socket.

2. On/Off Infra-Red Sensor?

All our LED Mirrors include Infra-Red on/off Sensor, simply wave your hand to the sensor and it will instantly powers up the lights and demister pad. You need to wave your hand 3-6 inches away to On/Off your mirror cabinet.

3. Where is the sensor located?

The sensor is located on the bottom of the mirror and not on the front of the glass.

4. Can I isolate the sensor so the led's come on with my bathroom lighting?

Yes, just call us for instructions and we shall email them to you, it's extremely easy!

5. Heated Demister Pad Mirrors?

Just turn on the lights via Infra-Red sensor and the heat pad removes the steam from the glass on the door.

6. How do I activate the demister pad?

The demister pad works automatically when the lights are turned on and off.

7. Is the mirror tinted glass?

No, the mirror is perfectly clear reflective mirror glass.

8. Is the mirror CE & ROHS certified?

Yes!
