

*Diamond* X  
EXCEPTIONAL MIRRORS. COLLECTION  
FOR ELEGANT BATHROOMS.

From

[www.illuminated-mirrors.uk.com](http://www.illuminated-mirrors.uk.com)

CE ROHS IP44



# 600mm Wide Demister Mirror Cabinets

(Model Numbers: 100877K76, K77, K78, K79)

Thank you for purchasing our illuminated mirror cabinet(s).

To avoid product damage, personal injuries, carefully read, understand, and follow all the Instructions in this installation guide before installing the product.

Save this manual for future reference.

CE ROHS IP44

## **WARNING!**

To avoid the risk of electrocution, please turn off the electricity supply mains before commencing the installation.

## CONTENT

### **I. STANDARDS**

- a. Safety Instructions
- b. IP Rating
- c. Bathroom Zones

### **II. MIRROR CABINET PARTS**

### **III. STEP-by-STEP INSTALLATION**

**Step 1:** *Unpack the mirror carefully and lay on a flat surface.*

**Step 2:** *Using a screwdriver remove both side panels.*

**Step 3:** *Remove both Fluorescent bulbs to gain access to the fitting holes.*

**Step 4:** *Decide on location of cabinet and offer cabinet up to the wall so holes can be marked. Us a level. (Cabinet is heavy and we suggest 2 people for this job).*

**Step 5:** *Using a drill make holes in the wall ready for fixing. Once the holes are drilled, fill with the supplied plugs.*

**Step 6:** *Offer the cabinet into position and pull the 240volt cable through the entry hole grommet. Then fix cabinet to wall with supplied screws.*

**Step 7:** *Connect power supply with internal cabinet power connection.*

**Step 8:** *Re-fix both Fluorescent bulbs into position.*

**Step 9:** *Re-attach both side panels.*

**Step 10:** *Add shelves to desired locations.*

**Step 11:** *Your cabinet is ready to use!*

### **IV. CARE AND CLEANING**

### **V. FAQs**

## I. STANDARDS

### a. Safety Instructions

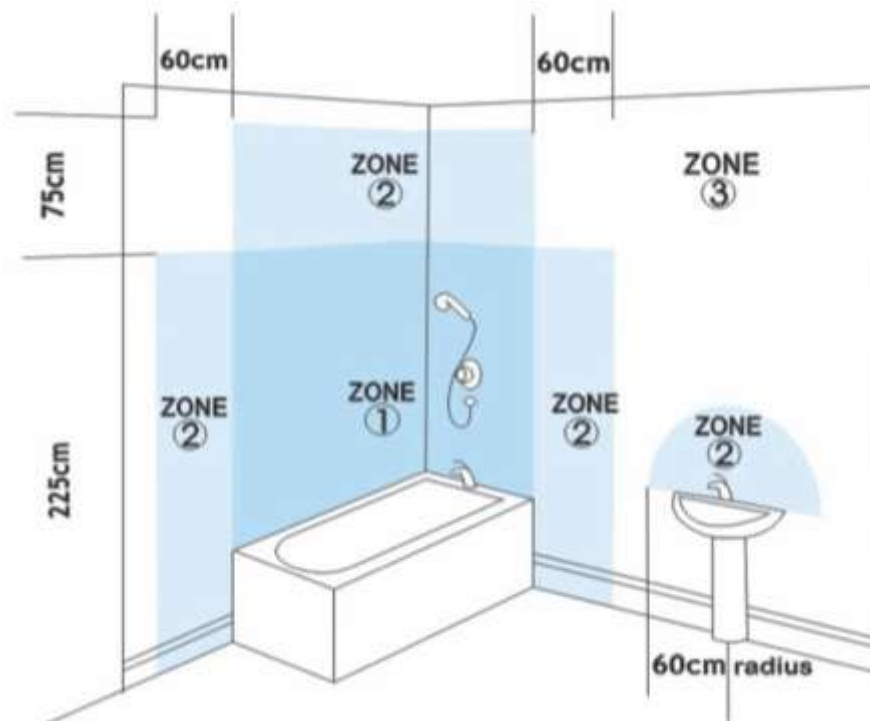
- Installation of this product can require a qualified electrician. If necessary, hire or consult a qualified electrician in accordance with the current IEE Wiring Regulations and UK Building Regulations for assistance before continuing.
- Please turn off the electricity supply mains before commencing the installation.
- This light fitting is a Class I product and therefore must be earthed.
- Always use the correct type and wattage bulb; never exceed the stated/rated wattage as this could overheat the transformer.

### b. IP rating

The **IP Code** (or **Ingress Protection Rating**, sometimes also interpreted as **International Protection Rating**) consists of the letters IP followed by two digits or one digit and one letter and an optional letter. These two digit numbers refer to the level of protection the product has and it is important that you choose fittings with correct ratings according to where they are installed within the bathroom.

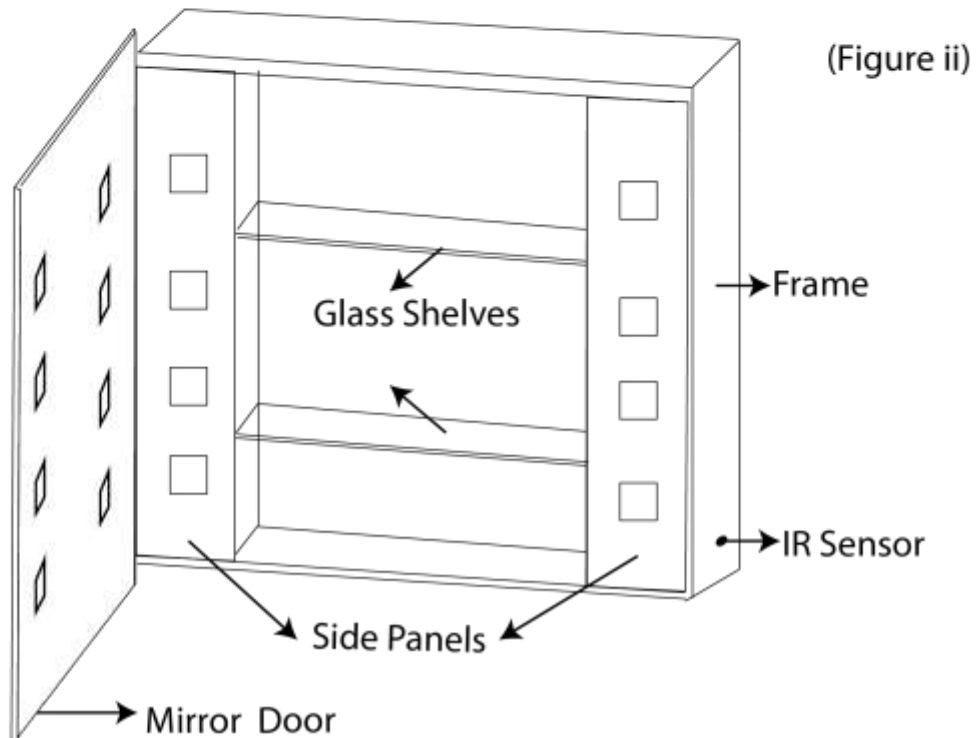
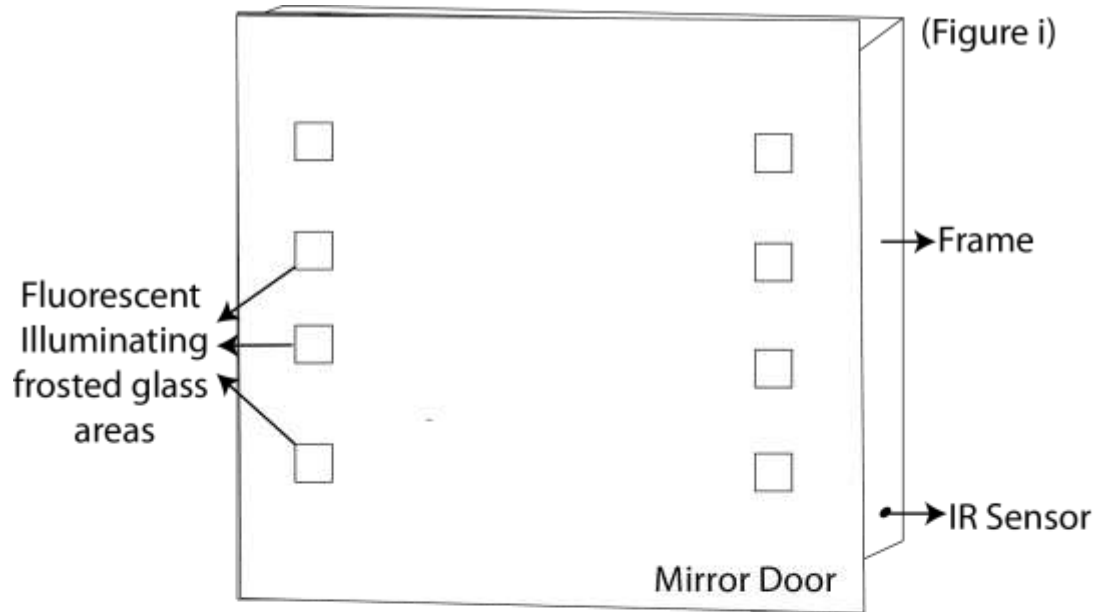
### c. Bathroom Zones

Our illuminated mirror cabinet has special protection against the ingress of moisture and is manufactured to meet IP44 standard, thereby making it suitable for use in Zones 2 and 3 of a bathroom with reference to the below diagram.



## II. CABINET PARTS

(Figure i) – Cabinet with closed door.



(Figure ii) – Cabinet with open door.

### III. INSTALLATION

- Please turn off the electricity supply mains before commencing the installation.

- **Wiring Colours:**

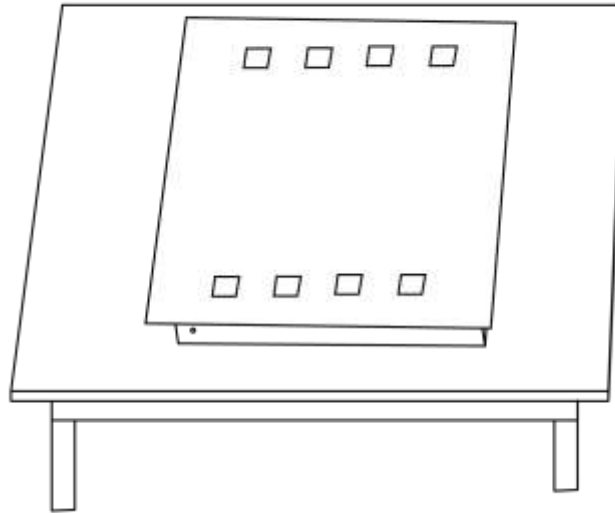
**Earth (E)**                      **GREEN**

**Neutral (N)**                    **BLUE**

**Live (L)**                         **BROWN**

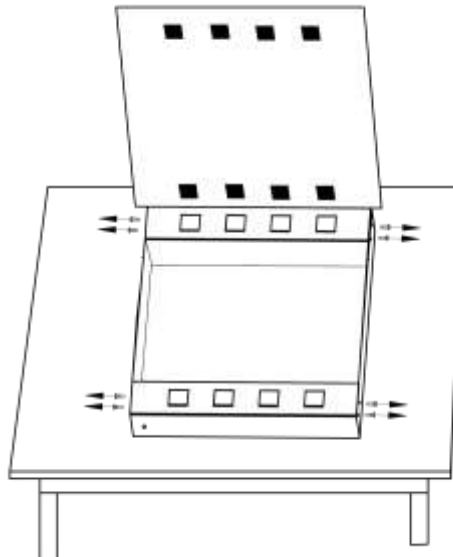
#### Step 1:

- Unpack the mirror carefully and lay on a flat surface.



#### Step 2:

- Using a screwdriver remove both side panels.



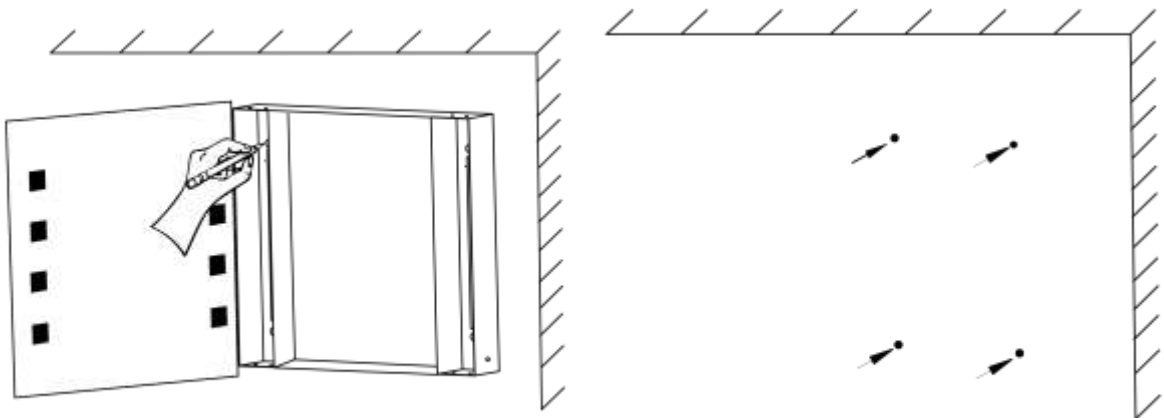
**Step 3:**

- Remove both Fluorescent bulbs to gain access to the fitting holes.

**Step 4:**

- Decide on location of cabinet and offer cabinet up to the wall so holes can be marked. Use a level.

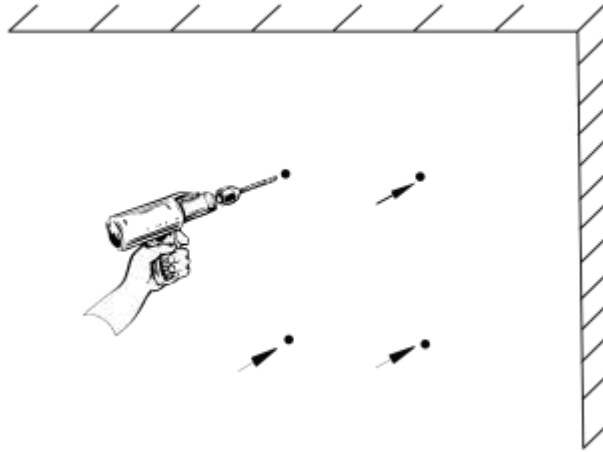
*Note: Cabinet is heavy and we suggest 2 people for this job.*



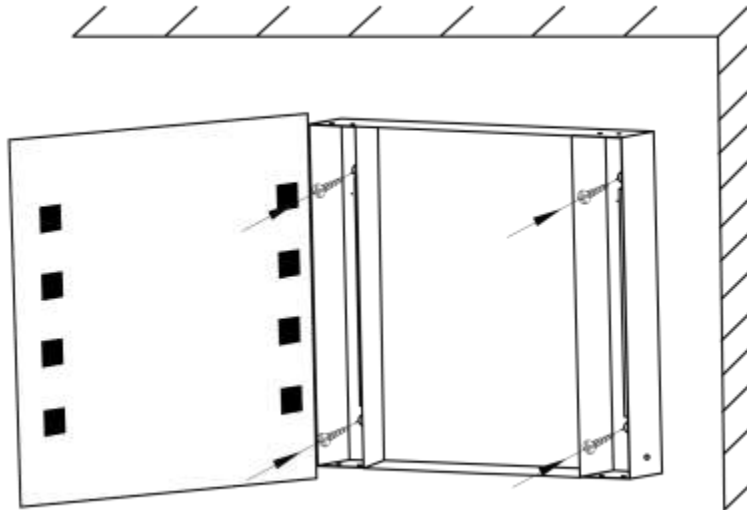


**Step 5:**

- Using a drill make holes in the wall ready for fixing. Once the holes are drilled, fill with the supplied plugs.

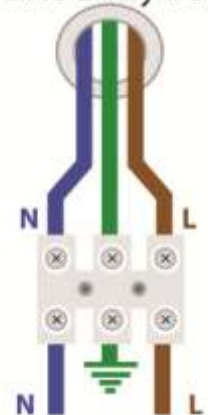
**Step 6 :**

- Offer the cabinet into position and pull the 240volt cable through the entry hole grommet.
- Then fix cabinet to wall with supplied screws.

**Step 7:**

- Connect power supply with internal cabinet power connection.

Cable Entry hole

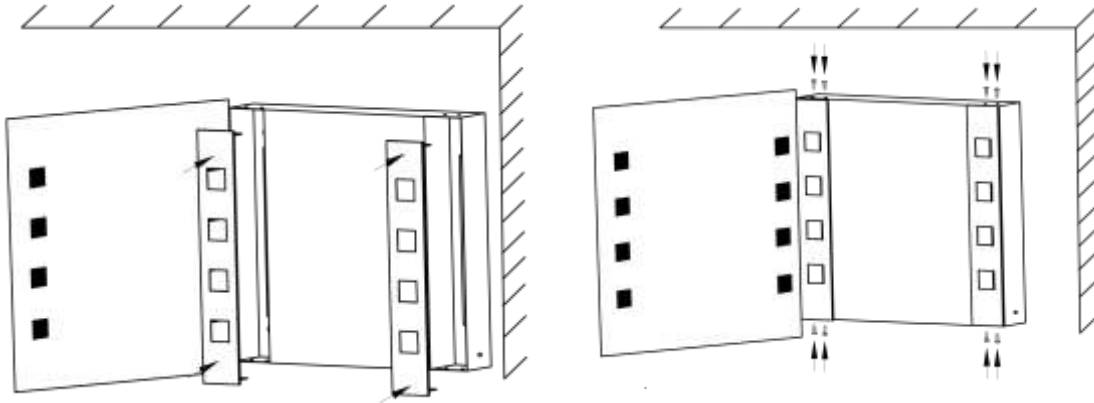


**Step 8:**

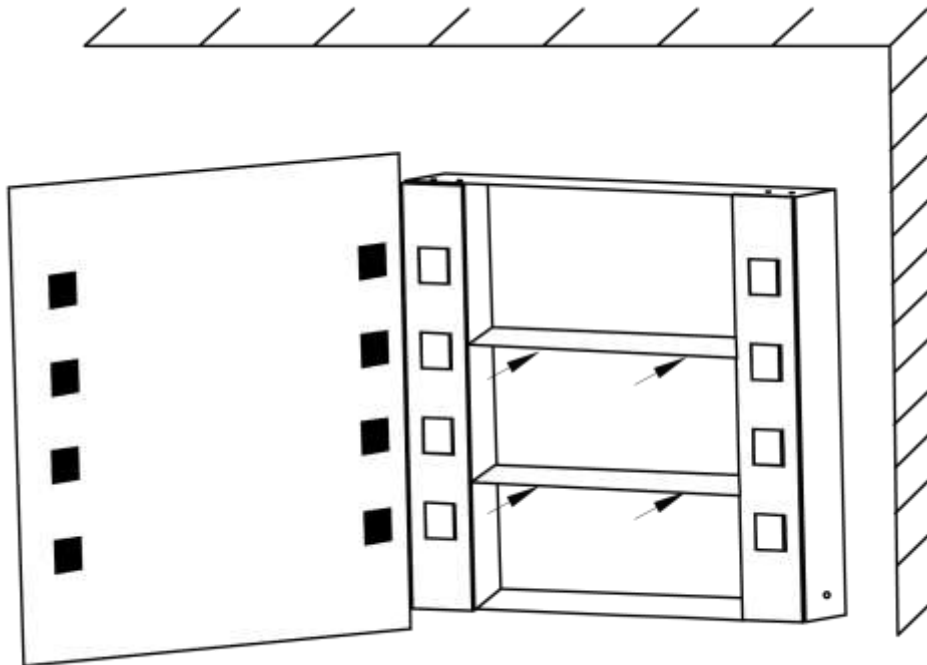
- Re-fix both Fluorescent bulbs into position.

**Step 9:**

- Re-attach both side panels.

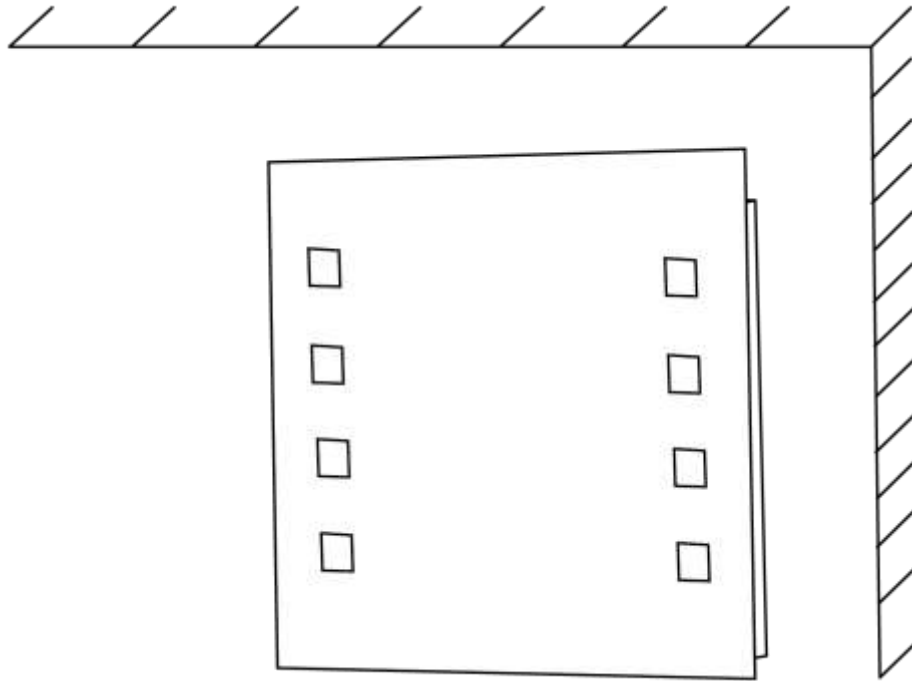
**Step 10:**

- Add shelves to desired locations.



**Step 11:**

- Your cabinet is ready to use!

**IV. CARE AND CLEANING**

- Please be aware when cleaning the mirror surface, do not to use abrasive materials as these will damage the overall finish.

## V. FAQs

### 1. On/Off Infra-Red Sensor?

All our LED Mirrors include Infra-Red on/off Sensor, simply wave your hand to the sensor and it will instantly powers up the lights and demister pad. You need to wave your hand 3-6 inches away to On/Off your mirror cabinet.

### 2. Where is the sensor located?

The sensor is located on the bottom right of the frame and not on the front of the glass.

### 3. Can I isolate the sensor so the led's come on with my bathroom lighting?

Yes, just call us for instructions and we shall email them to you, it's extremely easy!

### 4. How the Shaver Socket Works?

Shaver Mirrors include a 240 Volt shaver socket for the use of electric shavers and toothbrushes. The shaver socket includes its own on/off rocker switch which works separately from the lights and demister pad.

### 5. Heated Demister Pad Mirrors?

Just turn on the lights via Infra-Red sensor and the heat pad removes the steam from the glass on the door.

### 6. How do I activate the demister pad?

The demister pad works automatically when the lights are turned on and off.

### 7. Is the mirror tinted glass?

No, the mirror is perfectly clear reflective mirror glass.

### 8. Is the mirror CE & ROHS certified?

Yes!

\*\*\*\*\*